

GARDEN REVIVAL
GARDEN CLASSIC
BOLLARD
UP&DOWN
DOWNLIGHT
IN-GROUND
BRICKLIGHT
FLOODLIGHT
BULKHEAD
SOLAR
URBAN CLASSIC
URBAN REVIVAL
URBAN MODERN
POST
LAMPS

RITA

CLASSIC ROUND



Round bulkhead lamp in classic style, made of shockproof resin material, UV-rays stabilized, rust and corrosion-free. Suitable for wall and ceiling installation.
Kelvin settable GX53 LED or E27 version available. Insulation class II, Protection rating IP66.



Plafoniera circolare in stile classico, realizzata in resina antiurto stabilizzata ai raggi UV, inattaccabile da ruggine e corrosione. Idonea per il montaggio a parete e a soffitto. Disponibile nella versione a LED GX53 con Kelvin impostabile o E27. Classe di isolamento II, grado di protezione IP66.



1T3.000

CCT SETTABLE

2700 K 4000 K 6500 K

SDCM <6



RITA COMPONENTS

IP 66



COVER with classic design made of shockproof resin material, UV-rays stabilized.

COVER in stile classico realizzata in resina antiurto stabilizzata ai raggi UV.

Opal **DIFFUSER** made of UV-rays stabilized polymethylmethacrylate (PMMA), with silicone rubber gasket to ensure high protection against external agents.

DIFFUSORE opale realizzato in polimetilmetacrilato (PMMA) stabilizzato ai raggi UV. Completo di guarnizione in gomma siliconica per garantire un alto livello di protezione contro gli agenti esterni.

BASE made of shockproof resin material, UV-rays stabilized. Provided with GX53 lampholder or with white resin reflective plate and E27 lampholder.

BASE realizzata in resina antiurto, stabilizzata ai raggi UV. Fornita completa di portalampe GX53 o di piatto riflettente in resina bianca e portalampe E27.

RITA



Dimensions and weight

Diameter: Ø 355 mm
Depth: 90 mm
Weight: 1 Kg

Moulded colours:

Black White

Painted colours:

Antique green Antique bronze

Diffuser PMMA:

Opal

LED LAMPS



LVD EMC ERP

Comply with: EU2019/2015
EU2019/2020
Technical details on page 636.

CCT SETTABLE LED LAMP



CCT switch settable in three different positions, to select the desired Kelvin temperature (2700K/4000K/6500K) and get a customized ambiance.

GX53 LED

FULLY PRE-WIRED



Bulkhead supplied **fully pre-wired** and complete with TÜV-CB certified approved, long-life, efficient and Kelvin settable **GX53 LED lamp included**. Different wattage available.

- **COST SAVING:** long-life and efficient LED light sources.
- **BUILT-IN DRIVER:** Quick and easy lamp replacement for a very simple maintenance after installation.

100 - 240 V

LAMP	POWER	LUMINOUS FLUX (Φ TOTAL) UP TO	COLOUR TEMP.	*ADD. SUFFIX
	11,3 W	1510 lm	6500 K	.B1K
			4000 K	
	17 W	2350 lm	2700 K	.E1K
			6500 K	
			4000 K	
			2700 K	



**11,3W
17W**

**= 100W
150W**
incandescent



E27

FULLY PRE-WIRED



Bulkhead supplied **fully pre-wired** with **E27 lampholder**. White resin reflective plate designed to grant lampholder protection and isolation. Safe fixation of the electrical devices on the plate rear side.

Daylight and motion sensor available as an option. Sensor operating voltage: 220-240V (120V available on demand).

	max 160 mm	*ADD. SUFFIX
E27 (CFL -LED)		.E27
E27 + SENSOR (CFL -LED)		.E57

SAVE 88%

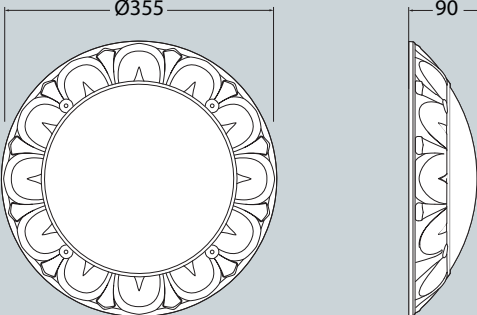
* ADD THESE SUFFIXES TO THE REFERENCES MENTIONED IN THE CATALOGUE

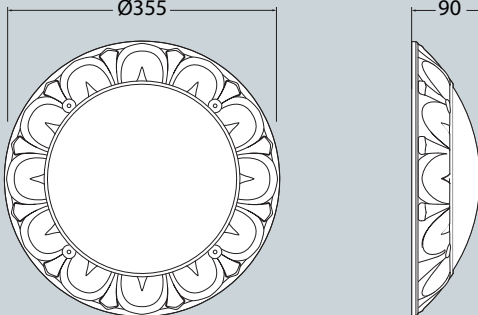
RITA

CLASSIC ROUND



MADE IN ITALY

RITA GX53	
11,3W	1T3.000.B1K
17W	1T3.000.E1K
CCT SETTABLE GX53 LED LAMP INCLUDED 2700K/4000K/6500K	
	
Pcs 12	
Kg 17,8	
mc 0,198	

RITA E27	
E27 lampholder	1T3.000.E27
E27 with sensor	1T3.000.ES7
	
Pcs 12	
Kg 15,4	
mc 0,198	