

GARDEN REVIVAL
GARDEN CLASSIC
BOLLARD
UP&DOWN
DOWNLIGHT
IN-GROUND
BRICKLIGHT
FLOODLIGHT
BULKHEAD
SOLAR
URBAN CLASSIC
URBAN REVIVAL
URBAN MODERN
POST
LAMPS

LUCIA RANGE

ROUND



Round bulkhead lamp with ring, eyelid or guard cover. Made of shockproof resin material, UV-rays stabilized, rust and corrosion-free. Suitable for ceiling, wall and post installation also with bracket angled at 35°. Supplied as option with coloured backlit base. **Kelvin settable GX53 LED** or **E27** version available. Insulation class II, Protection rating IP66.

*Plafoniera circolare con cover ad anello, a palpebra o a manubrio. Realizzata in resina antiurto stabilizzata ai raggi UV, inattaccabile da ruggine e corrosione. Idonea per il montaggio a parete, a soffitto e a palo anche con braccio angolato a 35°. Disponibile anche con base per retroilluminazione colorata. Fornita nella versione a **LED GX53 con Kelvin impostabile** o **E27**. Classe di isolamento II, grado di protezione IP66.*



1R3.000.0R1

CCT SETTABLE

2700 K 4000 K 6500 K

SDCM <6





LUCIA COMPONENTS

IP 66



COVER made of shockproof resin material, UV-rays stabilized. Ring, eyelid and grid versions available.

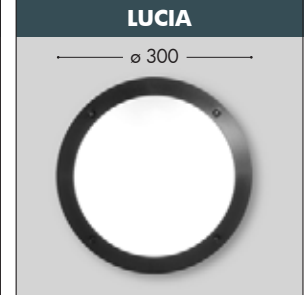
COVER in resina antiurto stabilizzata ai raggi UV, disponibile nella versione ad anello, a palpebra e a griglia.

Opal **DIFFUSER** made of UV-rays stabilized polymethylmethacrylate (PMMA), with silicone rubber gasket to ensure high protection against external agents.

DIFFUSORE opale realizzato in polimetilmetacrilato (PMMA) stabilizzato ai raggi UV. Completo di guarnizione in gomma siliconica per garantire un alto livello di protezione contro gli agenti esterni.

BASE made of shockproof resin material, provided with E27 or GX53 lampholder. Available in different backlit colours to create a coloured effect on wall and ceilings.

BASE realizzata in resina antiurto. Fornita completa di portalampada E27 o GX53. Disponibile in diversi colori per creare una retroilluminazione colorata su pareti e soffitti.



LUCIA

Dimensions and weight
Diameter: \varnothing 300 mm
Depth: 90 mm
Weight: 1 Kg

Moulded colours:

Black White Grey

Diffuser PMMA:

Opal

LED LAMPS



Comply with: EU2019/2015
EU2019/2020
Technical details on page 636.

GX53 LED

FULLY PRE-WIRED



Bulkhead supplied **fully pre-wired** and complete with TÜV-CB certified, long-life, and **Kelvin settable GX53 LED lamp included**. Different wattages available.

- **COST SAVING:** long-life and efficient LED light sources.
- **BUILT-IN DRIVER:** Quick and easy lamp replacement for a very simple maintenance after installation.

100 - 240 V

LAMP	POWER	LUMINOUS FLUX (Φ TOTAL) UP TO	COLOUR TEMP.	*ADD. SUFFIX
	11,3 W	1510 lm	6500 K	.B1K
			4000 K	
			2700 K	
	17 W	2350 lm	6500 K	.E1K
			4000 K	
			2700 K	



11,3W
17W = 100W
150W
incandescent



E27

FULLY PRE-WIRED



Bulkhead supplied **fully pre-wired** with **E27 lampholder**. White resin reflective plate designed to grant lampholder protection and isolation. Safe fixation of the electrical devices on the plate rear side.

Daylight and motion sensor available as an option. Sensor operating voltage: 220-240V (120V available on demand).

E27 (CFL -LED)	max 160 mm	.E27
E27 + SENSOR (CFL -LED)		.ES7

CCT SETTABLE LED LAMP



CCT switch settable in three different positions, to select the desired Kelvin temperature (2700K/4000K/6500K) and get a customized ambiance.

BOLLARD VERSION



Lucia bulkhead range can be mounted on a pole with or without an angled bracket. More detailed information at page 156.

SAVE 88%

* ADD THESE SUFFIXES TO THE REFERENCES MENTIONED IN THE CATALOGUE

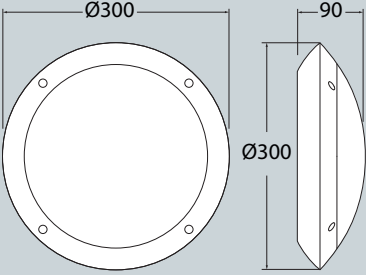
LAMPS POST URBAN MODERN URBAN REVIVAL URBAN CLASSIC SOLAR BULKHEAD FLOODLIGHT BRICKLIGHT IN-GROUND DOWNLIGHT UP&DOWN BOLLARD GARDEN CLASSIC GARDEN REVIVAL

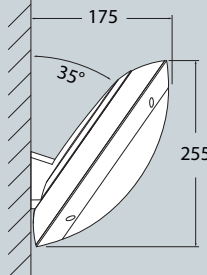
LUCIA RANGE

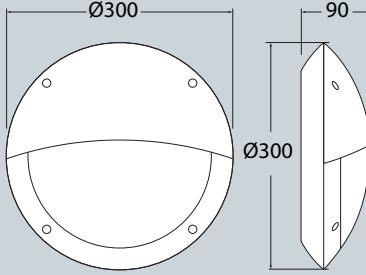
ROUND

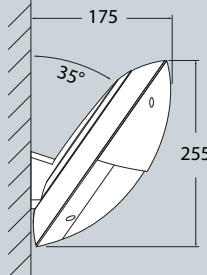


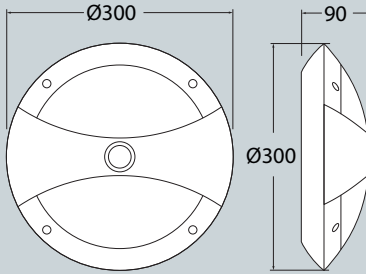


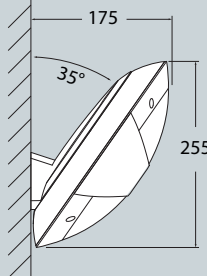
LUCIA E27	
E27 lampholder	1R3.000.E27
E27 with sensor	1R3.000.ES7
Pcs 16 Kg 16,8 mc 0,194	
	
CCT SETTABLE GX53 LED LAMP INCLUDED 2700K/4000K/6500K	
LUCIA GX53	
11,3W	1R3.000.B1K
17W	1R3.000.E1K

REMI/LUCIA E27	
E27 lampholder	1R3.602.E27
E27 with sensor	1R3.602.ES7
Pcs 16 Kg 20 mc 0,194	
	
CCT SETTABLE GX53 LED LAMP INCLUDED 2700K/4000K/6500K	
REMI/LUCIA GX53	
11,3W	1R3.602.B1K
17W	1R3.602.E1K

LUCIA-EL E27	
E27 lampholder	2R3.000.E27
E27 with sensor	2R3.000.ES7
Pcs 16 Kg 16,8 mc 0,194	
	
CCT SETTABLE GX53 LED LAMP INCLUDED 2700K/4000K/6500K	
LUCIA-EL GX53	
11,3W	2R3.000.B1K
17W	2R3.000.E1K

REMI/LUCIA-EL E27	
E27 lampholder	2R3.602.E27
E27 with sensor	2R3.602.ES7
Pcs 16 Kg 20 mc 0,194	
	
CCT SETTABLE GX53 LED LAMP INCLUDED 2700K/4000K/6500K	
REMI/LUCIA-EL GX53	
11,3W	2R3.602.B1K
17W	2R3.602.E1K

LUCIA-GD E27	
E27 lampholder	3R3.000.E27
E27 with sensor	3R3.000.ES7
Pcs 16 Kg 16,8 mc 0,194	
	
CCT SETTABLE GX53 LED LAMP INCLUDED 2700K/4000K/6500K	
LUCIA-GD GX53	
11,3W	3R3.000.B1K
17W	3R3.000.E1K

REMI/LUCIA-GD E27	
E27 lampholder	3R3.602.E27
E27 with sensor	3R3.602.ES7
Pcs 16 Kg 20 mc 0,194	
	
CCT SETTABLE GX53 LED LAMP INCLUDED 2700K/4000K/6500K	
REMI/LUCIA-GD GX53	
11,3W	3R3.602.B1K
17W	3R3.602.E1K