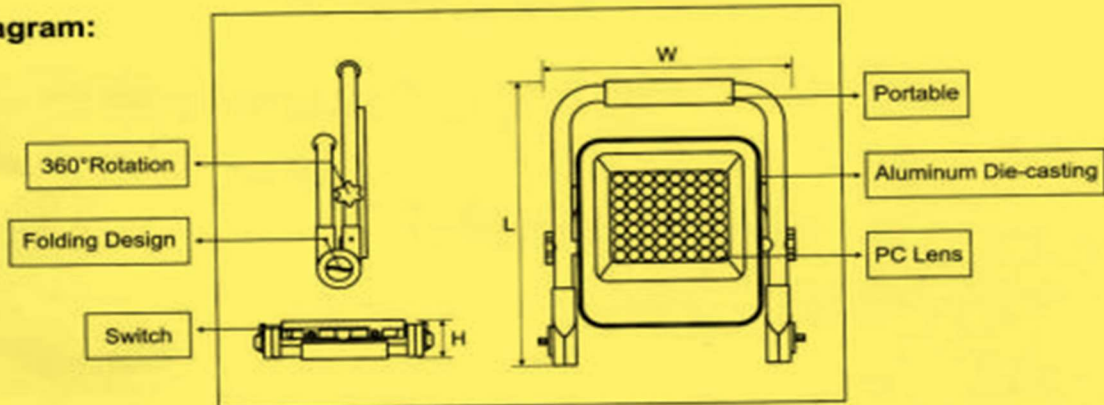


Diagram:



Specification:

Voltage	DC		
Power factor	>0.9		
Wattage	30W	50W	100W
Lumen	1000lm	1500lm	2500lm
Lamp type	LED2835		
CRI	>80		
Material	Aluminum Die-casting		
Beam angle	90°		
Products size	279.8x217.5x56.6mm	324x244.5x59.4mm	382x292.3x58.6mm
CCT	6500K		
Work Temp	-20°C--+50°C		
Protection	IP65		
Housing color	Yellow		

PRODUCT ADVANTAGES AND FEATURES

- Function shift: 1. 100% power; 2. 60% power; 3. 20% power 4. Emergency light:
- Back up time: 1. 100% power: 4 hours; 2. 60% power: 9 hours; 3. 20% power- 12 hours
- High lumen LED SMD, with 50,000 hrs life span.
- PC outdoor optical lens, high light transmittance.
- High quality aluminum magnesium alloy, anti-corrosion, substantial, durable, artistic, practical.
- High craft manifesting production value of famous brand
- Designed diamond face reflection process, super high efficiency reflection light source. effectively

enhance the brightness of the illumination



This product should be disposed of responsibly at the end of its life. Please recycle where facilities exist. Check with your Local Authority or retailer for recycling advice (Waste Electrical and Electronic Equipment Directive)