



Essential LEDspot MR16

ESS LED MR16 4.5-50W 36D 830 100-240V

Essential LEDspots MR16 are compatible with most existing fixtures with a GU5.3 socket and are designed as a retrofit replacement for halogen spots. Essential LEDspots MR16 deliver significant energy savings and minimize initial investment.

Product data

General Information	
Lighting Technology	LED
Switching Cycle	50,000
Nominal lifetime	15,000 hour(s)
Cap-Base	GU5.3 [GU5.3]
Light Technical	
Color Code	830 [CCT of 3000K]
Beam Angle (Nom)	36 degree(s)
Luminous Flux	400 lumen
Luminous Intensity (Nom)	700 cd
Color Designation	White (WH)
Correlated Color Temperature (Nom)	3000 K
Luminous Efficacy (rated) (Nom)	88.00 lm/W
Color Consistency	<6
Color rendering index (CRI)	80
LLMF At End Of Nominal Lifetime (Nom)	70 %
Operating and Electrical	
Line Frequency	50 to 60 Hz
Input Frequency	50 to 60 Hz

Power Consumption	4.5 W
Wattage Equivalent	50 W
Starting Time (Nom)	0.5 s
Warm-up time to 60% light	0.5 s
Power Factor (Fraction)	0.4
Voltage (Nom)	100-240 V

Temperature	
T-Case Maximum (Nom)	65 °C

Controls and Dimming	
Dimmable	No

Mechanical and Housing	
Bulb Shape	MR16 [2inch/50mm]

Approval and Application	
Suitable For Accent Lighting	Yes
EU RoHS compliant	Yes

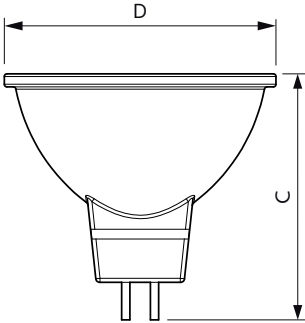
Essential LEDspot MR16

Product Data

Full product code	871951428453100
Order product name	ESS LED MR16 4.5-50W 36D 830 100-240V
Order code	28453100
Numerator - Quantity Per Pack	1
Numerator - Packs per outer box	10

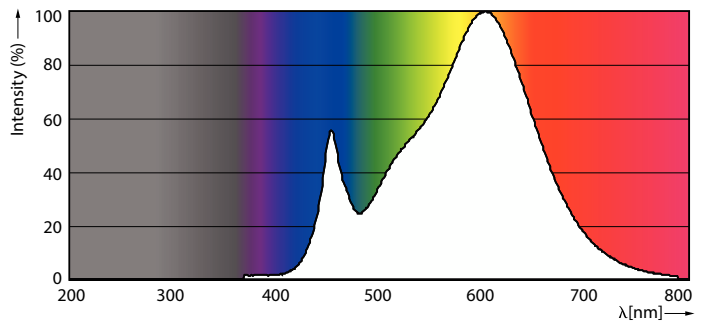
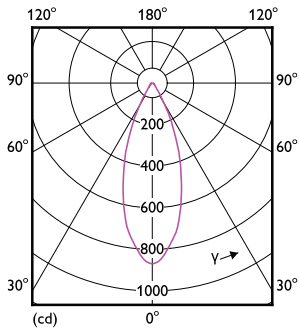
Material number (12NC)	929001874068
Full product name	ESS LED MR16 4.5-50W 36D 830 100-240V
EAN/UPC - Case	8719514284548

Dimensional drawing



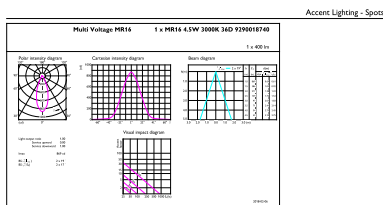
Product	D	C
ESS LED MR16 4.5-50W 36D 830 100-240V	50.5 mm	46.5 mm

Photometric data



Light Distribution Diagram - ESS LED MR16 4.5-50W 36D 830 100-240V

Spectral Power Distribution Colour - ESS LED MR16 4.5-50W 36D 830 100-240V

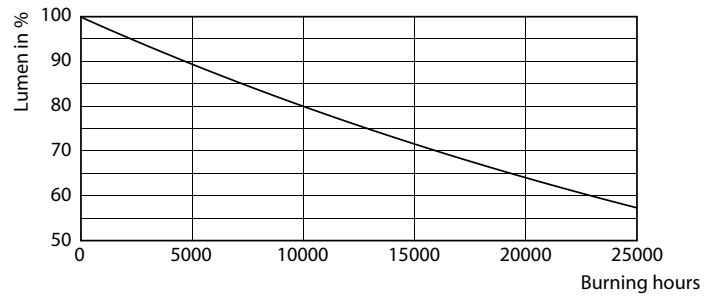
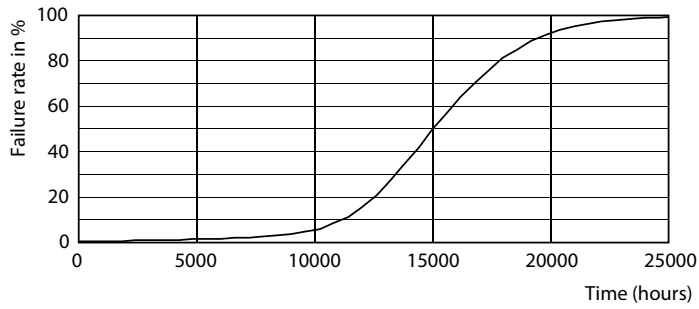


CalcLux Photometrics 4.3 Philip Lighting EV Page 1/1

Accent Lighting Spots - ESS LED MR16 4.5-50W 36D 830 100-240V

Essential LEDspot MR16

Lifetime



Life Expectancy Diagram - ESS LED MR16 4.5-50W 36D 830 100-240V

Lumen Maintenance Diagram - ESS LED MR16 4.5-50W 36D 830 100-240V

