



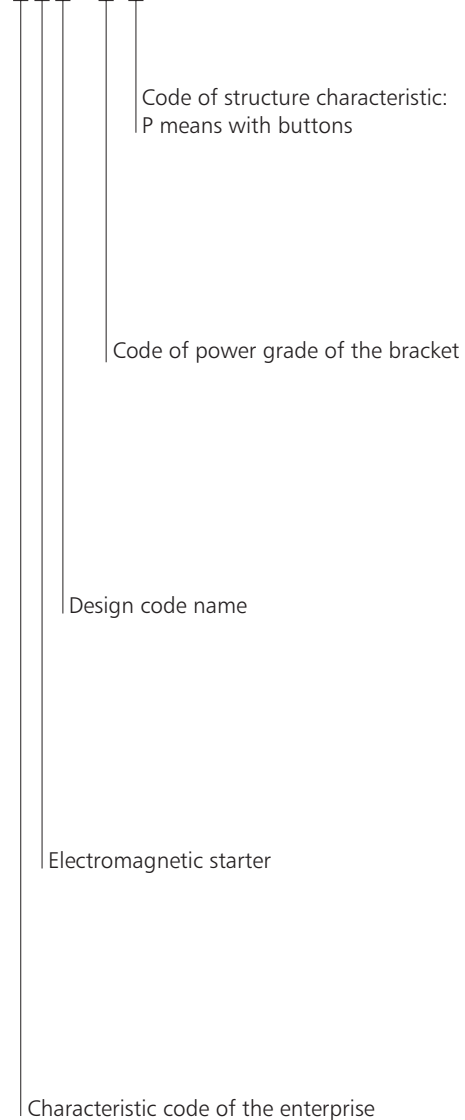
## NQ3 DOL Electromagnetic Starter

### 1. General

- 1.1 NQ3 series electromagnetic starter ("starter" for short hereinafter) applies mainly to circuit with AC current of 50Hz (or 60Hz), rated operational voltage of 660V and rated controlled power up to 11kW (current up to 22A) for using to control the direct start and halt of the electromotor to protect the motor from overload and phase failure.
- 1.2 The starter conforms to standards IEC/EN60947-4-1

### 2. Type designation

N Q 3 - □ P



### 3. Technical data

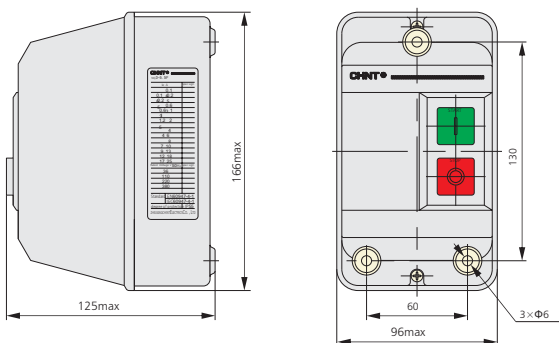
- Altitude: not exceeding 2000m;
- Temperature of ambient air: -5°C~+40°C
- Rated control supply voltage (AC 50Hz): 24V, 36V, 48V, 110V, 127V, 220V, 380V, 415V
- Mechanical life: 1,000,000 circles;
- Electric life: 500,000 circles;
- IP55

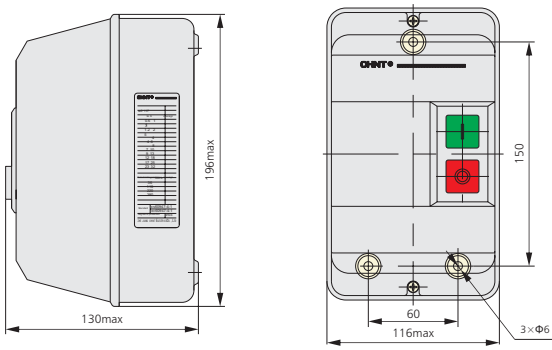
Table 1 Basic Model and main technical parameter of the starter

Model	Rated working current (A)	Maximum rated Power (kW)			Model of equipped AC contactor	TOR matched	Range of setting current A
		AC-3					
		660V	380V	220V			
NQ3-5.5P	12	7.5	5.5	3	NC1-1810	NR2-25	0.1~0.16
							0.16~0.25
							0.25~0.4
							0.4~0.63
							0.63~1
							1~1.6
							1.25~2
							1.6~2.5
							2.5~4
							4~6
NQ3-11P	22	15	11	5.5	NC1-3210		9~13
							12~18
							17~25

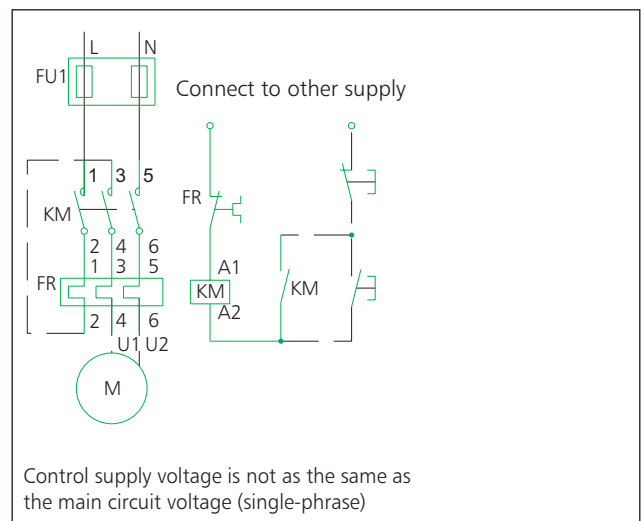
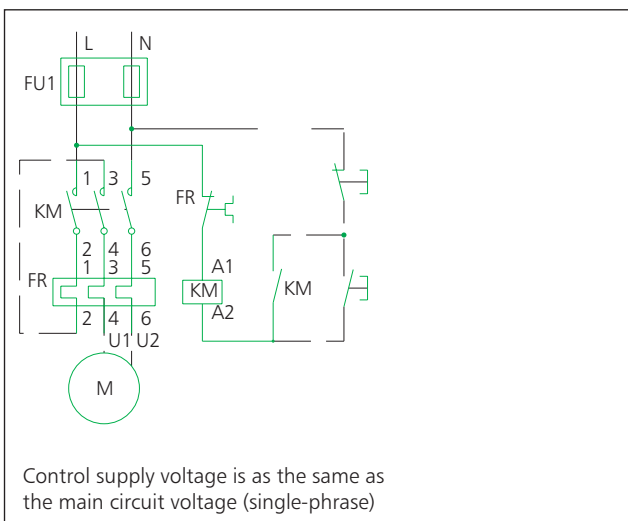
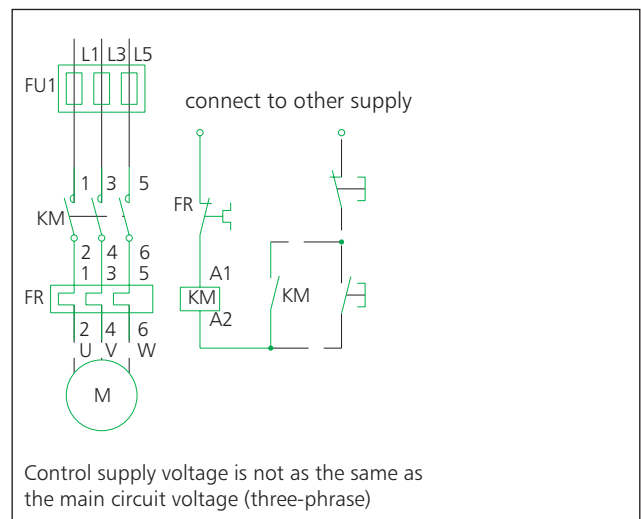
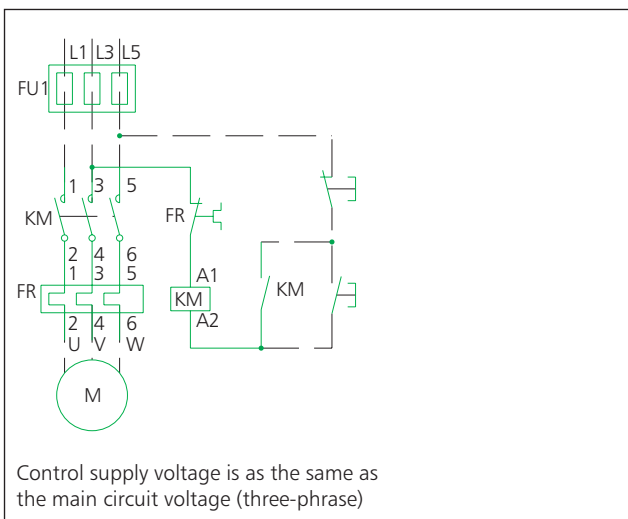
4. Overall and mounting dimension (mm)

NQ3-5.5P





5. Wiring Diagram

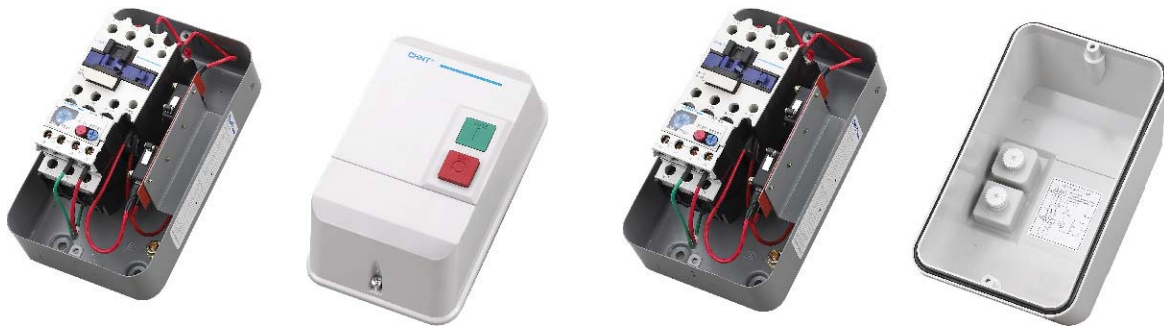


6. Picture

NQ3-5.5P



NQ3-11P



F