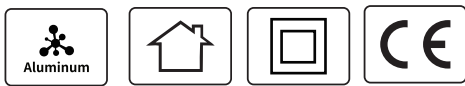




LED TRACK LIGHTING

S P E C I F I C A T I O N S H E E T





Features

- High quality aluminum alloy lamp body.
- High quality COB light source.
- Dustproof lens, triple anti-glare Soft light effect, deep design for COB source, large shading angle, better anti-glare effects.

Applications



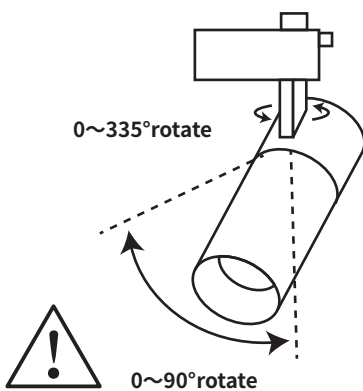
Detailed description

1. Free Rotation and Flexible 90-degree vertical rotation & 360-degree horizontal rotation, suitable for different angle.
2. Application: shopping malls, shops, museum, gallery, restaurant etc.

Specifications

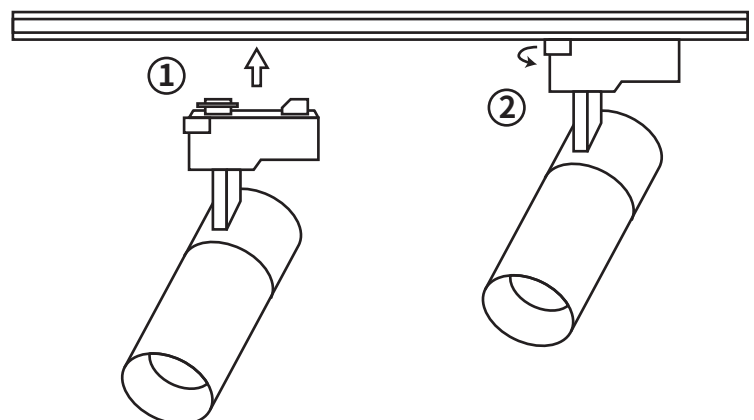
Model number	Power	Size	Luminous flux	Ra	In put	PF	Driver
AT-SD001-30W	30W	80x180mm	3000lm	80	85-265V	0.5	non-isolated driver

Installation



Please adjust the illumination angle of the lamp when it is not powered on.

Please be careful when adjusting the angle. When the lamp head is adjusted to the stop, do not continue to rotate in the same direction.



Install the track connector into the track, and rotate the track head to snap over the snap point. Make sure the conductors are fully contacted.